

Two-door refrigerator/freezer

Use and maintenance



Contents	Special instructions	1
	Appliance description	2
	Proper use of the appliance	3
	Guide for placing foodstuffs in the refrigerator compartment	6
	Maintenance	7
	Special instructions and advice	8

Special instructions

If this appliance is to replace a lock-fitted refrigerators before getting rid of the old model, break or remove the lock as a safety measure to protect children who, when playing, might have access to the refrigerator and lock themselves inside.

The purchaser is responsible for installing the appliance. The manufacturer assumes no responsibility for incorrect installation or for failure to complete the earth connections as described in this handbook.

At the end of the functional life of your appliance containing cyclopentane gas in the insulation foam and perhaps gas R600a (isobutane) in the refrigeration circuit the latter should made safe before being sent to the dump.

For this operation, please contact your dealer or the Local Organisation in charge of waste disposal.

Installation

After unpacking your new fridge-freezer the interior should be washed with a weak solution of sodium bicarbonate in warm water.

Rinse with clean water and dry thoroughly. Position the appliance away from heat sources, at least 50 cm (20 inc) and in a ventilated spot, not in niches or recesses.

Position the appliance in such a way that you can access the socket where it is plugged in.

Wait about three hours before plugging the appliance in to the mains to ensure proper performance.

Make sure the mains voltage corresponds with the voltage indicated on the rating plate which is located inside the refrigerator compartment on the lower left-hand side. Insert the plug in an electric socket provided with earth contact and suitable for a current of at least 10A.

Do not use adapters or shunts which could cause overheating and burning.

If the wall socket has no earth contact, or if the plug is not suitable for your mains, we suggest you call an electrician for assistance.

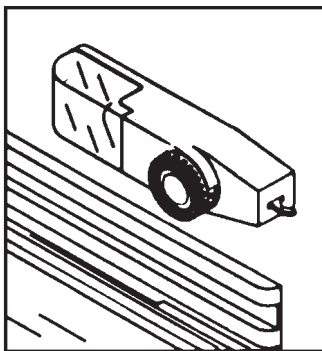
Appliance description

- A** Compartment for storing frozen foods, for freezing fresh foods and for making ice.
- B** Thermostat box and interior light
- C** Sliding, height-adjustable shelves
- D** Removable fruit/vegetable bin top
- E** Crisper
- F** Compartment for bottles
- G** Removable door shelves for small food products and bottles.
- H** Removable door shelf with egg tray
- I** Meat box
- J** Ice tray

Proper use of the appliance

The thermostat automatically regulates the temperature inside the appliance.

Turn the knob from setting 1 to setting 5 to obtain increasingly colder temperatures (Fig. 1).



R 45

Fig. 1

Use of the refrigerator compartment

If the freezer compartment is empty, to obtain the optimum temperatures inside the refrigerator, set the thermostat knob indicator on a middle setting.

The setting should be regulated taking into account how often the refrigerator door is opened, how much food is on the shelves and the room temperature is.

Use of the freezer compartment

The symbol *** ** *** on the freezer door means that this compartment permits fast freezing of fresh foods and the storing of frozen and deep-frozen foods for long periods of time

Storage

If frozen or deep-frozen foods are to be stored in the freezer compartment, set the thermostat knob between 4 and 5.

Proper use of the appliance

Freezing fresh foods To package foods for freezing, consult a specialized manual. Before placing fresh foods in the compartment for freezing, to prevent the temperature of already frozen foodstuffs from rising irregularly in contact with the unfrozen food, these frozen foodstuffs should be removed from the freezing space and placed below the divider.

Never freeze more foodstuffs than the amount indicated on the rating plate at one time. Once the space is loaded, regardless of the ambient temperature, move the thermostat knob back about a quarter setting compared to the setting used for freezing.

The fresh foods will be completely frozen 24 hours after their placement in the freezing space. If you changed the thermostat setting for the freezing operation, return the thermostat to its original setting.

Special advice and instructions on using the freezer

- a) The temperature of the ice made in the freezer is extremely low; when removing ice, handle with care as contact with your skin could cause frost burns and cuts.
- b) Avoid placing full glass bottles in the freezer, especially if they are sealed and contain fizzy or carbonated drinks (mineral water, orange ade, coca cola) because as the liquid freezes, it expands and could cause the glass to explode.

Defrosting Remember to remove the frost from the walls of the top compartment periodically; do not use sharp metal tools which can seriously damage the cooling circuit.

Defrosting is necessary to assure the best performance from your refrigerator and avoid wasting electricity.

To defrost the top compartment, which should be done once or twice a year, unplug the appliance from the mains and leave the door open until all the frost has thawed.

A pot of warm water placed in the freezer will speed up the defrosting operation. During defrosting, wrap the frozen foodstuffs removed from the freezer in newspaper and keep them in a cool place. Since the rise in temperature will shorten their storage life, these foods should be used fairly soon, even after their return to the freezer.

The refrigerator compartment defrosts automatically while running; the defrost water is collected by a drainer and evaporated automatically to the outside.

WARNING: do not damage the refrigeration circuit.

Do not use mechanical devices or other tools to speed up the defrosting process, unless they have been recommended by the manufacturer.

Guide for placing foodstuffs in the refrigerator compartment

Food	Storage time	Placement in refrigerator
Dressed meat and fish (wrap in plastic foil or pack in plastic bags)	2 or 3 days	In the bottom of the refrigerator over the vegetable bin (which is the coldest area)
Fresh cheese	3 or 4 days	In the bottom of the refrigerator over the vegetable bin (which is the coldest area)
Eggs	1 month	In special egg tray on door
Butter, margarine	1 week	On door shelf
Cooked or precooked food (place in air-tight containers and when cool store in refrigerator). Sausages, salami, sandwich meats in general, fresh pasta, custards, puddings, chocolates, cream pastries, lard, bread, dry pastries, red tomatoes.	3 or 4 days	On any shelf
Bottled products, milk, drinks, yogurt		On special door shelves
Fruit and vegetables		In vegetable drawer

N.B.: potatoes, garlic and onions do not have to be stored in the refrigerator.

Maintenance

Cleaning

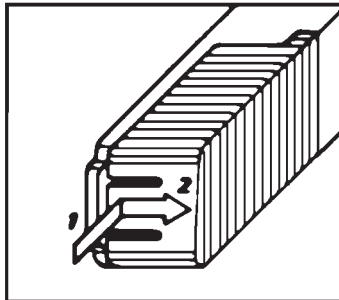
Before performing any cleaning operations, unplug the appliance from the mains (by removing the plug or disconnecting the general switch).

The refrigerator should be cleaned periodically with a solution of bicarbonate of soda and warm water. Never use abrasives, detergents or soaps; after washing, rinse with clean water and dry with care. At least once a year the condenser (black, finned part on the back) should be cleaned using a vacuum cleaner or dry brush. This preserves the efficiency of the appliance in time and **saves energy**.

Changing the light bulb

The bulb for lighting the interior of the appliance is located at the back of the thermostat box.

To change, remove the plug from the socket and unscrew the bulb. Replace with a maximum 15 Watt bulb (Fig. 2).



R 45

Fig. 2

Special instructions and advice

To increase the space available and improve the appearance, the "cooling section" of this appliance is inside the back wall of the refrigerator compartment. When the refrigerator is running this wall will be covered with frost or drops of water, depending on whether the compressor is operating or not. Do not worry! Your refrigerator is running normally. You should defrost only when the layer is more than 5 mm. To do this, set back the thermostat knob.

Never place hot food in the refrigerator, let it cool first to room temperature. Arrange the food to assure sufficient air circulation inside the appliance. Avoid placing sheets of paper or plastic on the shelves. Make sure no foodstuffs touch the back wall of the refrigerator compartment. During use, open the refrigerator door as little as possible.

In addition to the number of stars the compartment is marked with, **the storage life of deep-frozen foods** depends on the room temperature, the thermostat setting, how often the compartment door is opened, the type of food, and how long the food has been at room temperature from the time it was purchased to bringing home. Always follow the instructions printed on the package and never exceed the maximum storage time indicated.

If the room temperature is less than 14° for a long period of time, the freezing compartment will not reach the temperature required for deep freezing and the storing time will be less. In this case, remember to use frozen foods within a relatively short period of time.

To prevent increase in moisture and consequently increased frost, never place liquids in uncovered containers in the refrigerator. The frost tends to concentrate in the coldest parts of with time.

Before calling for technical assistance, if the appliance is not working, first make sure the supply plug is properly inserted in the socket and that the thermostat is not on setting " 0 "; if the refrigerator is noisy, check the level and make sure there is no object on the outside in contact with the back; if the refrigerator performs poorly, make sure the interior is not overly crammed, the door closes tightly and the condenser at the back of the fridge is not full of dust.

The refrigerating gas circulating inside the cooling circuit causes a slight bubbling sound, even when the compressor is not working. This is quite normal!

If you notice water in the bottom of the refrigerator, make sure the defrost water drain hole is not plugged; if plugged, clean with the special cleaning rod as shown in (Fig. 3).

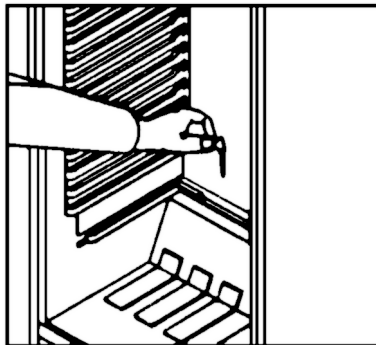


Fig. 3

Special instructions and advice

Your refrigerator contains 2 wheels that make it easier to place, move and clean your appliance.

To avoid the movement of the refrigerator while using it, you can fix it by turning the front legs counter clockwise. So that, you will avoid the refrigerator to move back and front when opening and closing the door. As well, you will have the balanced placement of the refrigerator.

When you want to clean and move your refrigerator, you can simply turn the front legs towards clockwise.

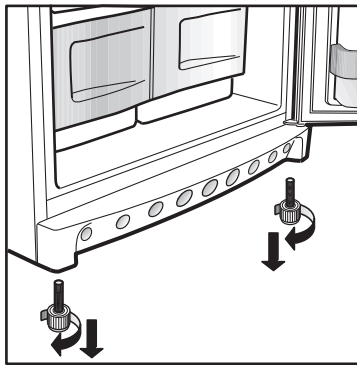
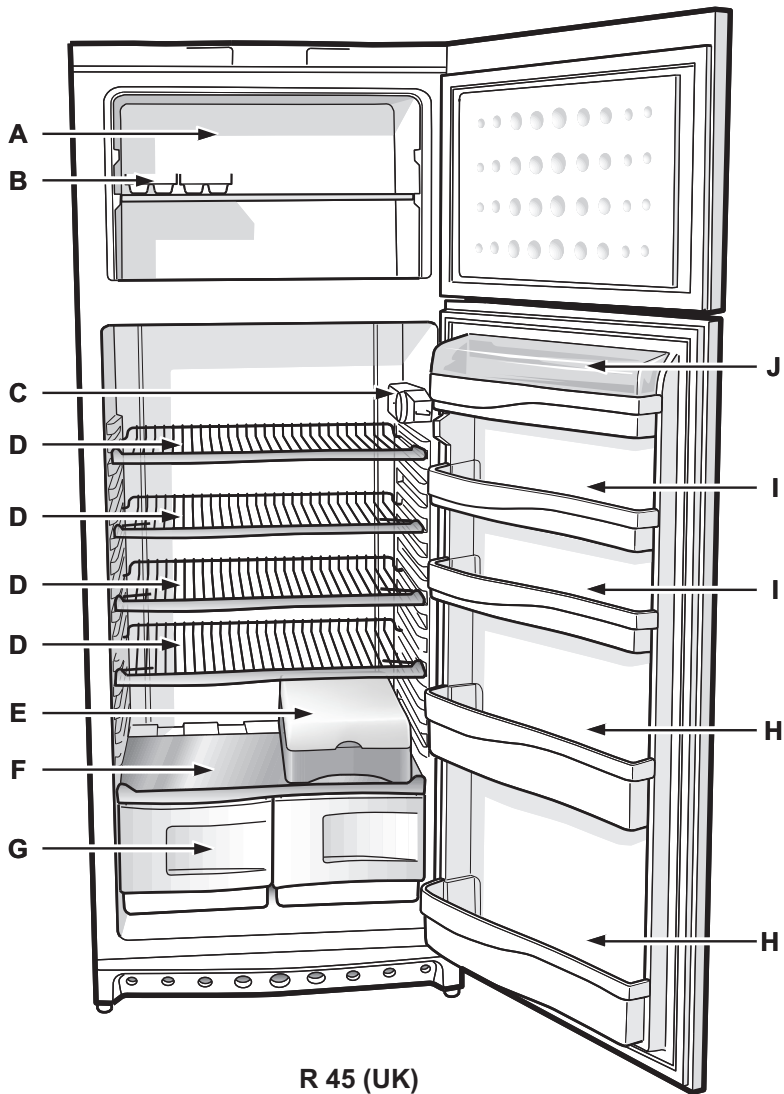


Fig. 4

- **Your refrigerator is designed according to the optimum performance at the ambient temperature between $+43^{\circ}\text{C}$ and $+5^{\circ}\text{C}$. Above or below these temperatures, optimum refrigeration performance can not be achieved.**

NOTE: The lifetime or employment of your refrigerator is 10 years.



R 45 (UK)
R 45 S (UK)



19503053101